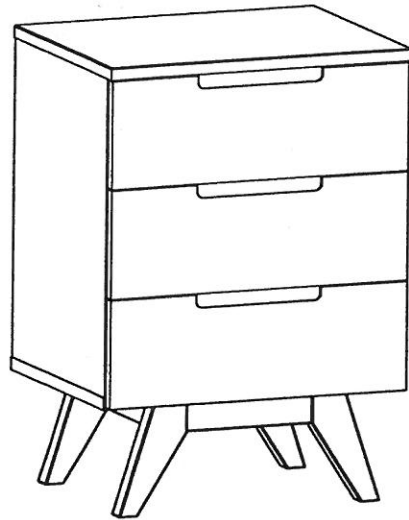
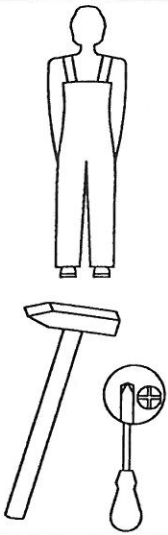

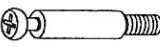


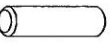


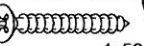
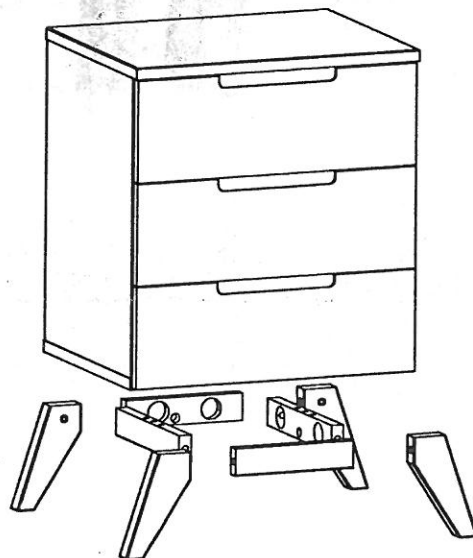


3819

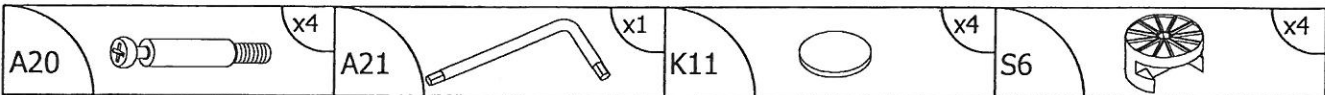


A1	 x4	A20	 x8	A21	 x1	K11	 x4
S1	 x6 ø8x30	S3	 x4 H=14 mm	S6	 x8		

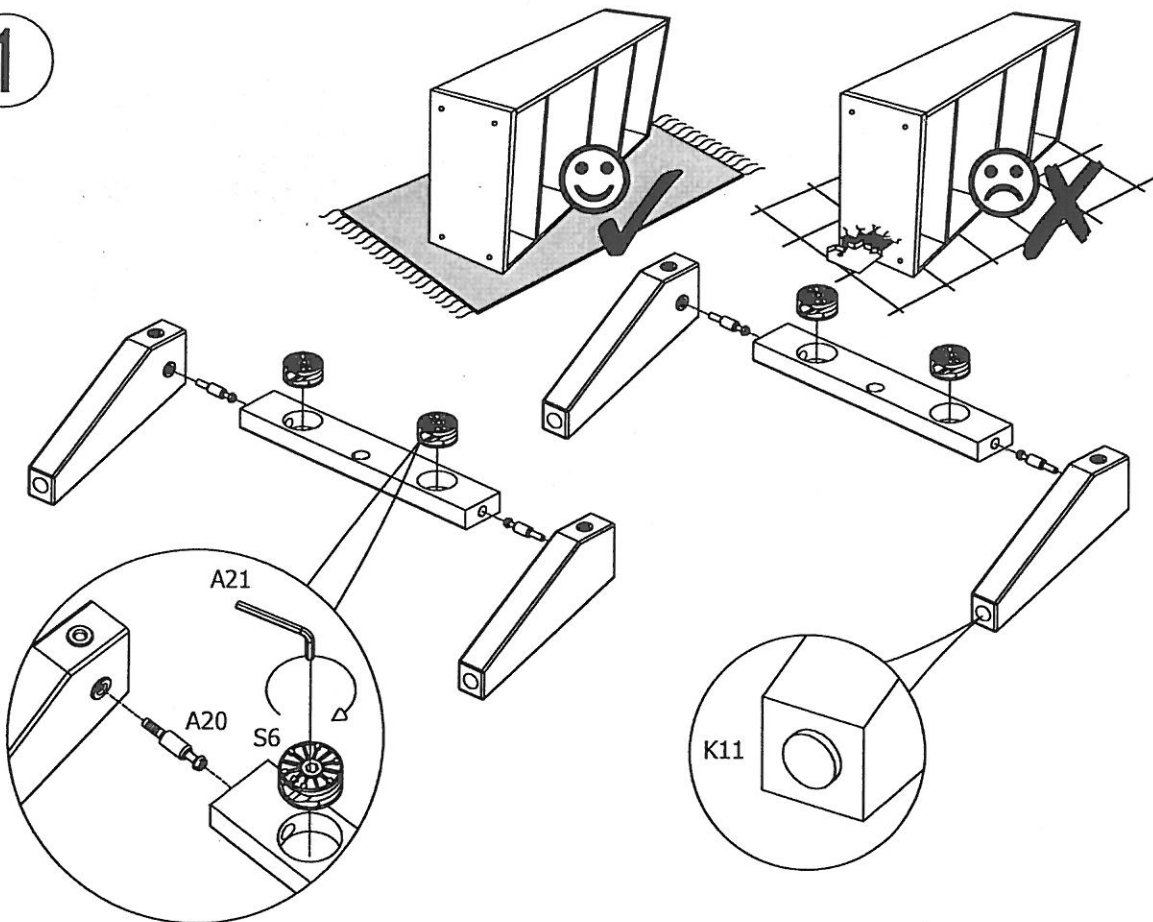
 x1 ø4x50



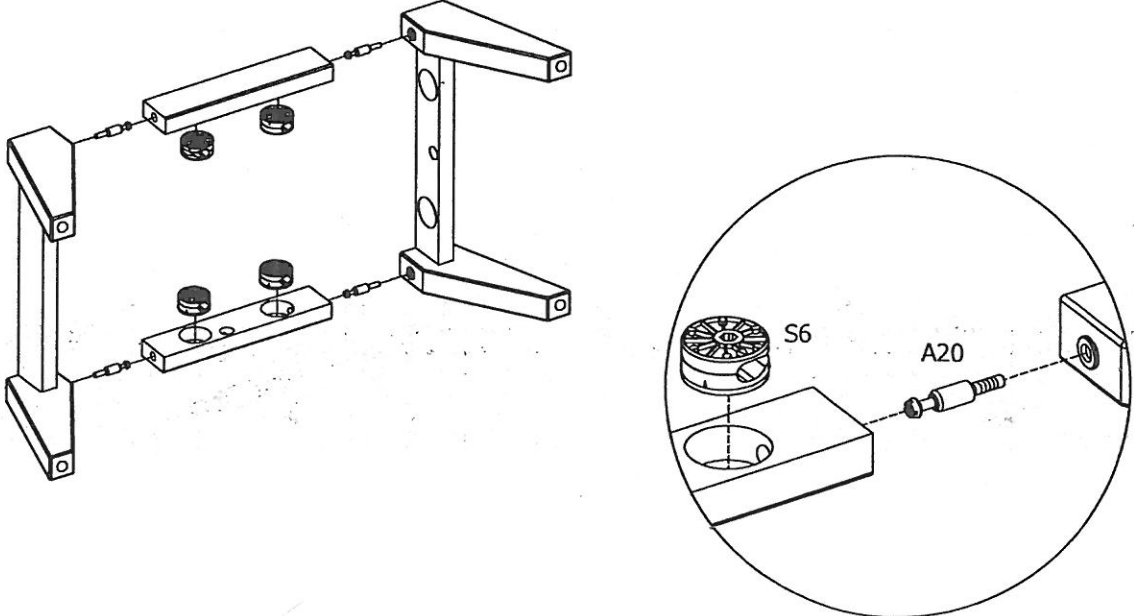
3819




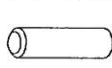
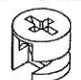
1



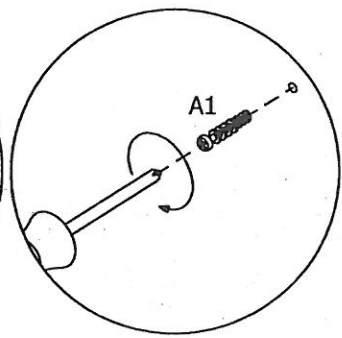
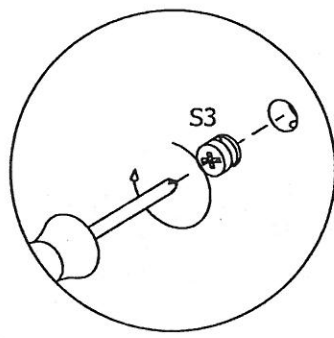
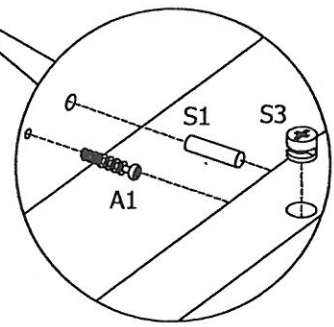
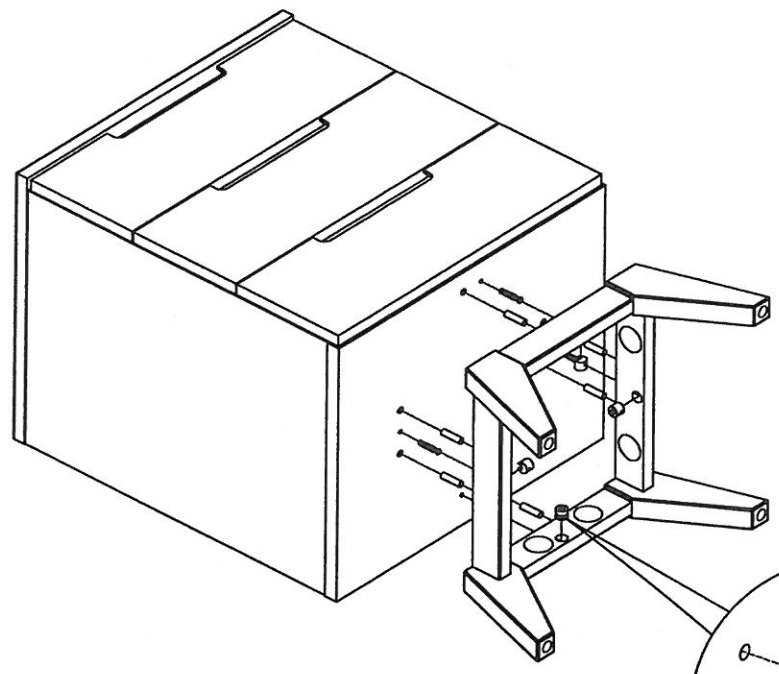
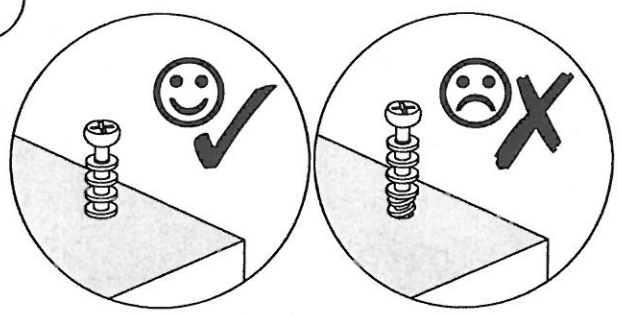
2



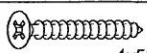
3819

A1	 x4	S1	 x6	S3	 x4	H=14 mm
			ø8x30			

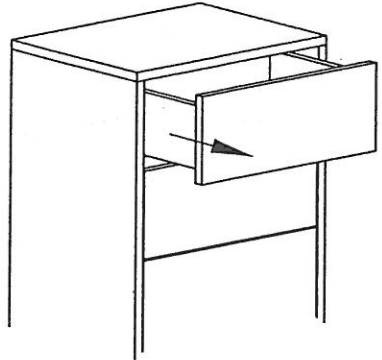
3



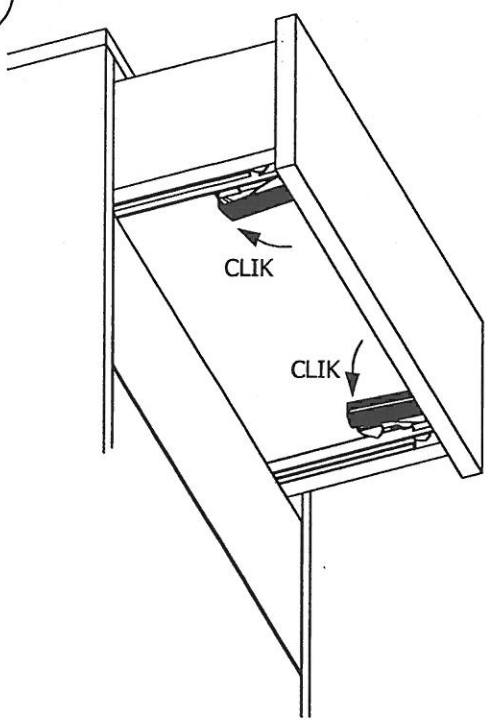
3819

 x1
ø4x50

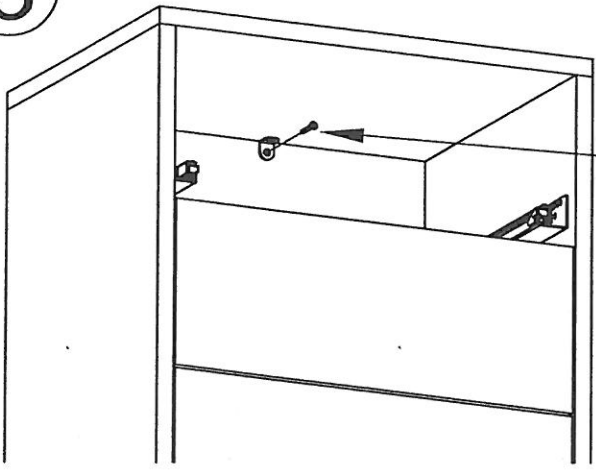
1

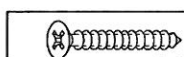


2

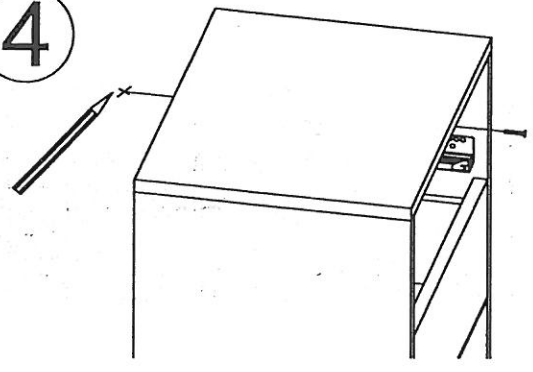


3



 x1
ø4x50

4



5

