
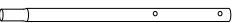
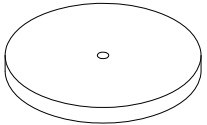
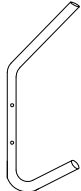




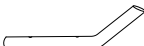

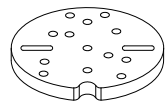


NO.	DESCRIPTION	Q'TY
A		1
B		1
C		1
D		4
E		12
F		1
G		12
H		1
I		2
J		1
K		1