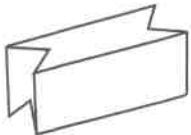


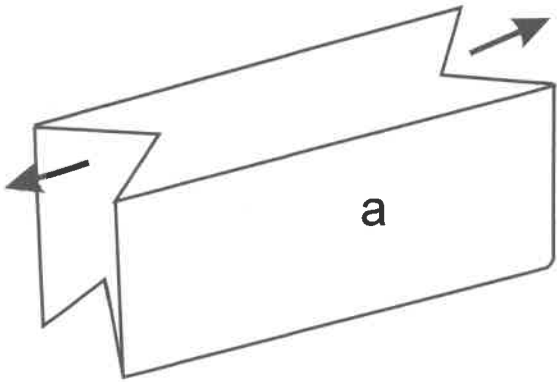


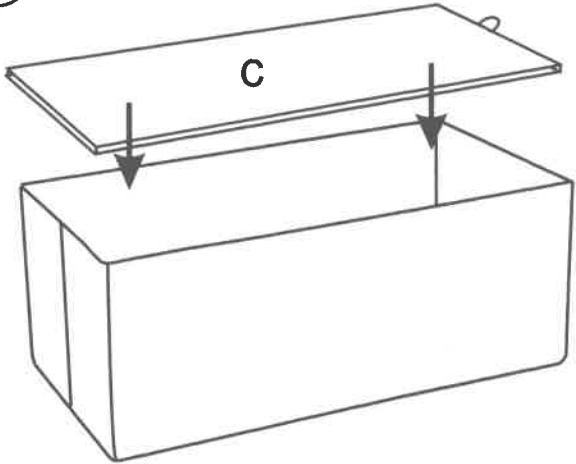
ASSEMBLY INSTRUCTION

a		1pc	c		1pc				
b		1pc							

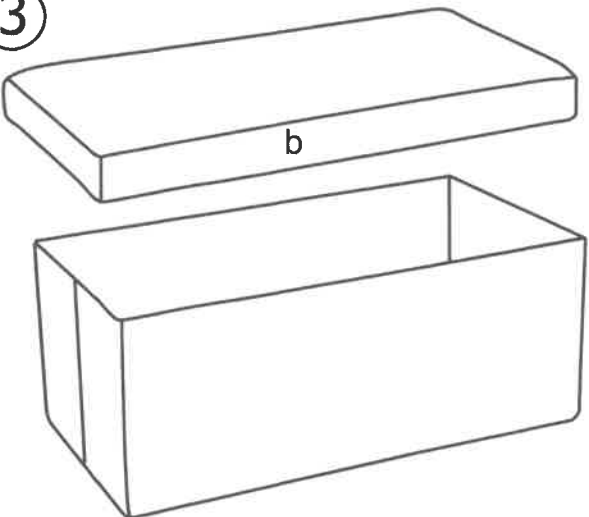
①



②



③



④

